

Congratulations on your purchase of D&D Technologies' Kwik-Fit hinges. We are confident that these hinges will provide you with a lifetime of reliable gate operation (see Warranty & Limitation of Liability below).

Note: Use 12-gauge screws or bolts only. Do not use countersinking screws or attempt to countersink the hinges. Consult your local hardware store for fastener options.

Tools required: Pencil, electric or cordless drill, $1\frac{1}{64}$ " [4.5mm] drill bit (for 12 gauge screws/bolts), #2 Phillips-head driver bit.

Maintenance Requirements:

Note: The hinges will operate properly, and warranty is valid, only if installed in accordance with the instructions and specifications shown herein.

- Use only two (2) Kwik-Fit hinges on any one gate.
- Remove all existing hinges and self-closing devices.
- Ensure the gate does not swing through the line of the fence (180°). Use a "gate stop" or a latch (with striker) to prevent this.
- Do not lubricate these hinges with petroleum-based lubricants at any time. Use only powdered spray graphite.
- Do not physically cut, drill, countersink, machine or grind any part of the hinges.
- If through-bolts are used, remove excess bolt by cutting, grinding and/or filing.
- Ensure the hinges are kept free of sand, ice and other debris that could impair effective operation.
- Do not disassemble these hinges at any time.
- Do not paint or apply any additional finishes to the hinges.
- Never remove hinges from gate while under spring tension.

Maximum Weight of Gate

KFS: 45 lb [20 kg]

KFP: 55 lb [25 kg]

Maximum Gate Dimensions

* 5'H x 3'W (1524x915mm)

* 5'H x 3'W (1524x915mm)

* Always space the hinges as far apart from each other as possible, for maximum holding strength.

Procedure 1:

Note: The gap between the fence post and gate frame must be $\frac{3}{4}$ " (19mm).

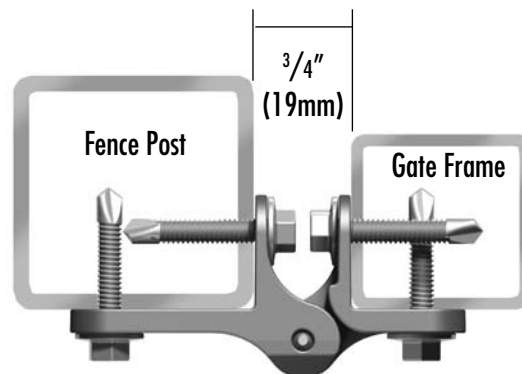
Determine the desired location of the hinges on the fence post and gate frame. The larger side of the hinge should be fixed to the fence post and the smaller side to the gate frame. Remember to space the hinges as far apart as possible for maximum holding strength. Mark the holes for drilling using the pencil.

Procedure 2:

Pre-drill the holes on the gate frame first using the $1\frac{1}{64}$ " [4.5mm] drill bit. Install both hinges on the gate frame. Use a low clutch setting on the drill to ensure you do not strip the screws/bolts.

Procedure 3:

Re-position the gate onto the fence post to ensure the holes marked on the fence post are in the correct position. If not, re-mark the holes on the post using the pencil. Pre-drill the holes using the $1\frac{1}{64}$ " [4.5mm] drill bit. Install both hinges. The gate is now ready for use.



NOTE: Kwik-Fit hinges are intended for post mounting only. For mounting to walls where there is no room for a fence post, use D&D's "Multi-Adjust" MFA model.

WARRANTY & LIMITATION OF LIABILITY

D&D Technologies' ("D&D") products are warranted to be free of defects in materials and workmanship to the original purchaser for as long as he/she owns the product. This product will operate properly, and warranty is valid, only if installed in accordance with the instructions and specifications shown. If a structural defect appears, the original purchaser may return the item, freight prepaid, together with proof of purchase to D&D or its approved international agents. D&D or its agent will, at their discretion, repair or replace the defective item or part without charge to the purchaser.

THIS WARRANTY SHALL NOT APPLY WHEN the product has been tampered with, when repairs or attempted repairs have been made by unauthorized persons, where the item has been subjected to misuse, abuse, accident or damage in transit, or where the installer has not followed the instructions set out during installation, operations, or Maintenance Requirements. IN NO EVENT SHALL THE COMPANY BE LIABLE FOR ANY INCIDENTAL OR CONSEQUENTIAL DAMAGES. No warranty is given other than that set out above. No other express or implied warranties (including statutory warranties) apply, other than warranties which may not be legally excluded.

