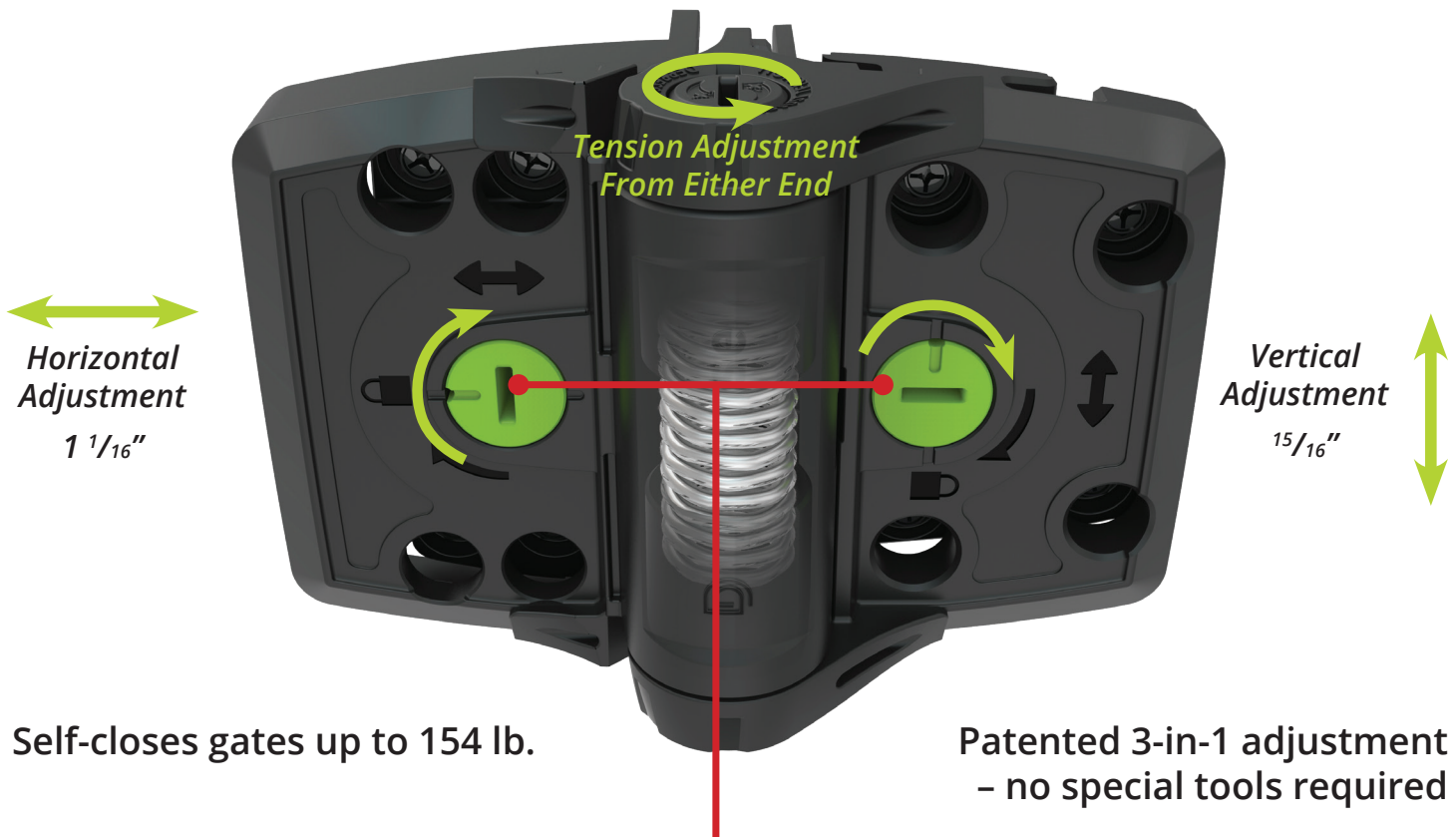


# Solves gate sag problems for good!

Patented horizontal & vertical adjustment with a turn of a dial.



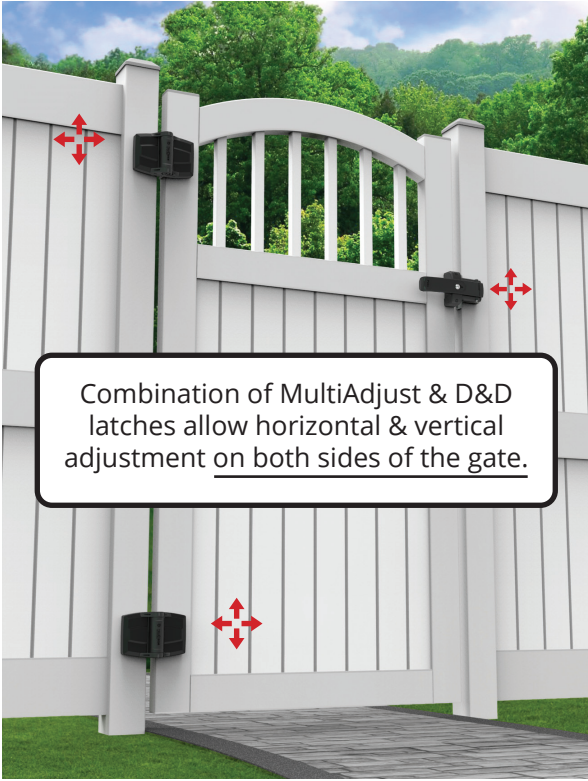
Easy-to-identify dials:  
One-turn to adjust - One-turn to lock

## Heavy-duty self-closing hinges for vinyl or composite gates

- Up to 50% faster to install with NEW built-in brackets and less fasteners
- Over 20% increase in horizontal and vertical adjustability
- Generous adjustability allows gate gaps from 5/8" to 1 11/16"
- Patented quick-release mechanism for fast, easy horizontal & vertical adjustability
- Larger spring than stainless steel hinges; longer life, greater closing power
- UV stabilized, industrial-strength polymer & stainless steel construction
- Side-fixing legs for fast alignment & extra fixing strength



CODE	PRODUCT NAME	GATE MATERIAL	IDEAL GATE GAP	GAP VARIANCE	COLOR
TCHDMA1S3BT	TruClose® Multi-Adjust™ Series 3	Vinyl, Composite	1"	5/8" to 1 11/16"	Black
TCHDMA1S3WT	TruClose® Multi-Adjust™ Series 3	Vinyl, Composite	1"	5/8" to 1 11/16"	White



Combination of MultiAdjust & D&D latches allow horizontal & vertical adjustment on both sides of the gate.



**NEW**  
TCHDMA1S3BT



**NEW**  
TCHDMA1S3WT



Removable hinge covers and all fasteners are included

TCHDMA1S3

